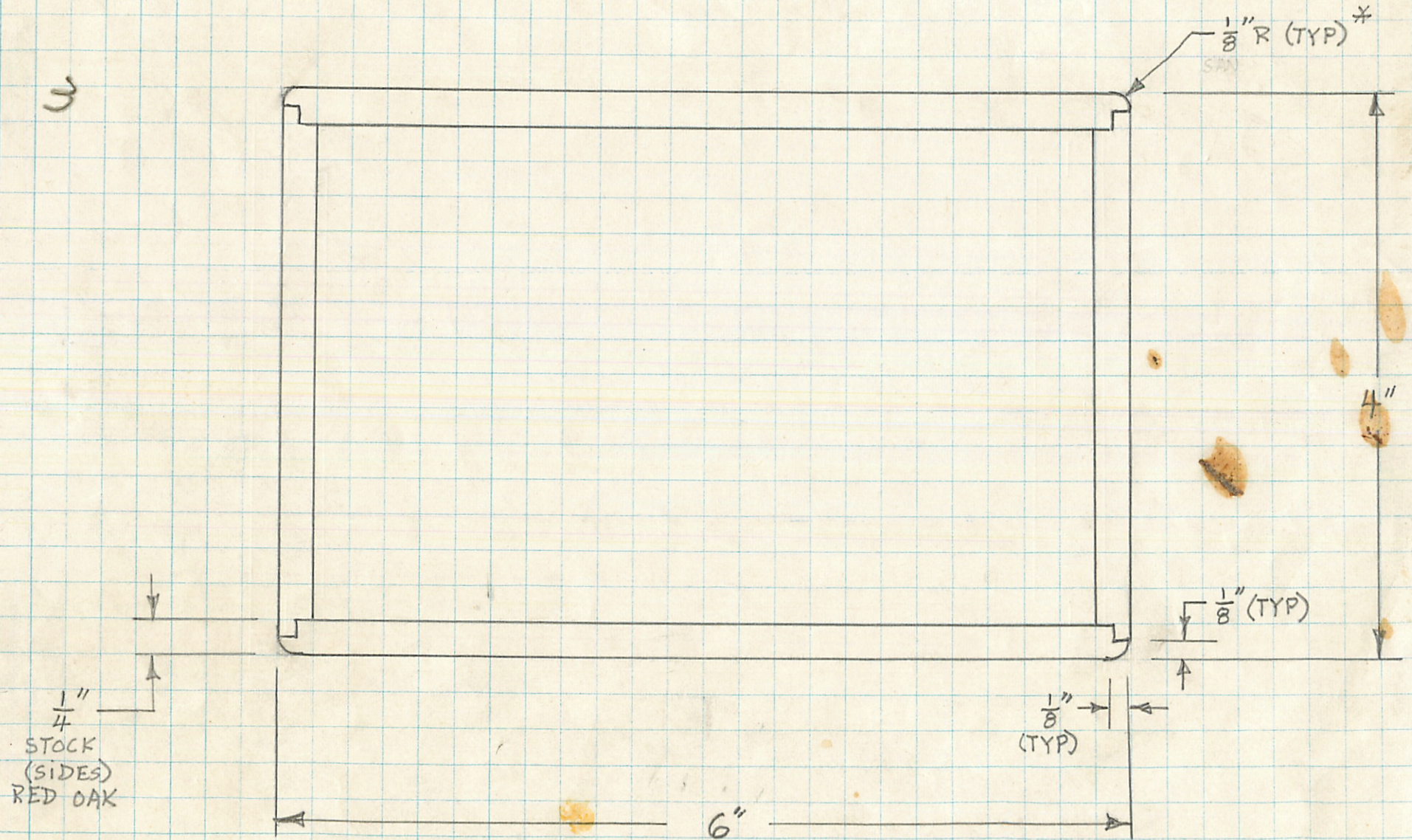


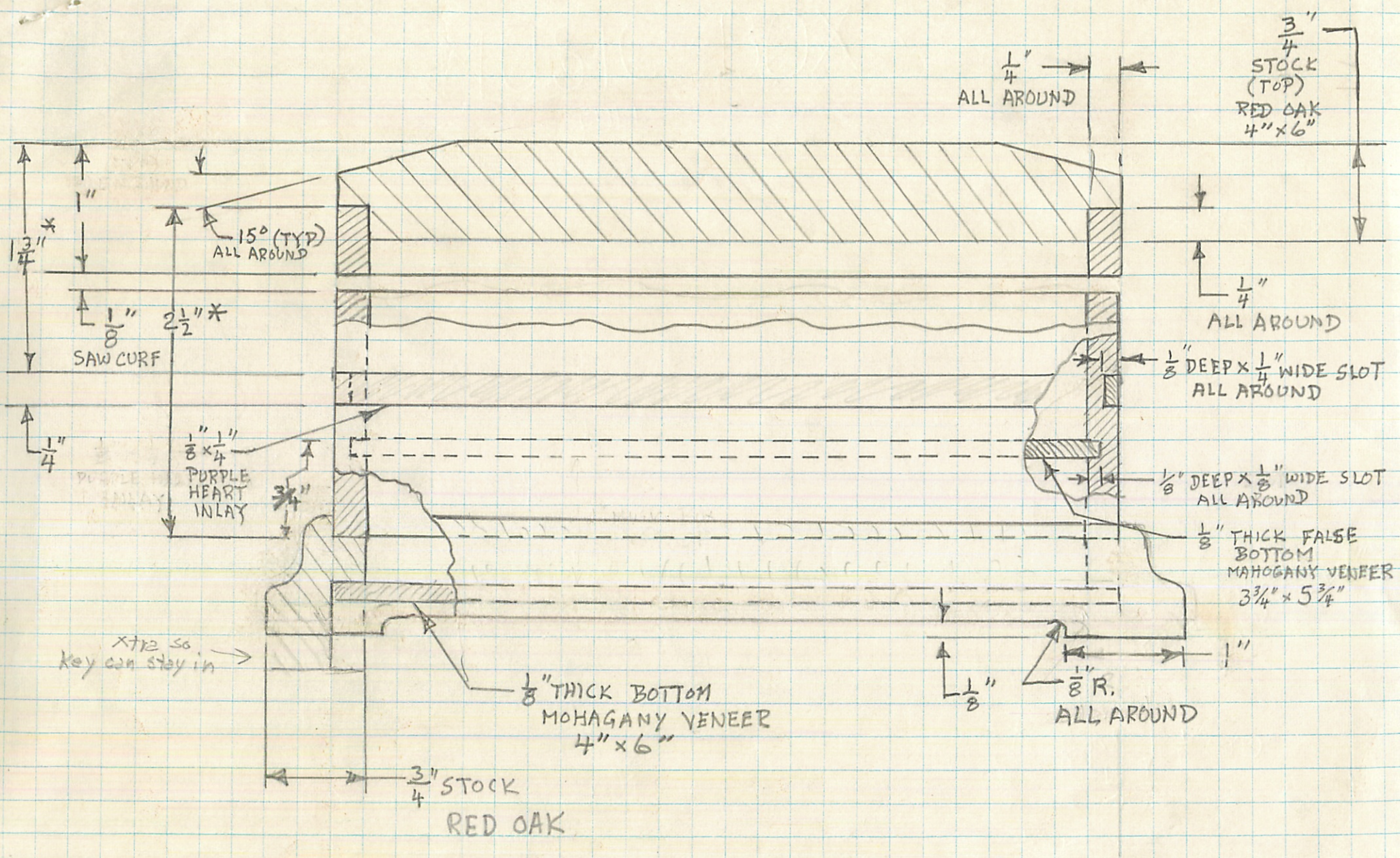
MUSIC BOX

FULL SCALE

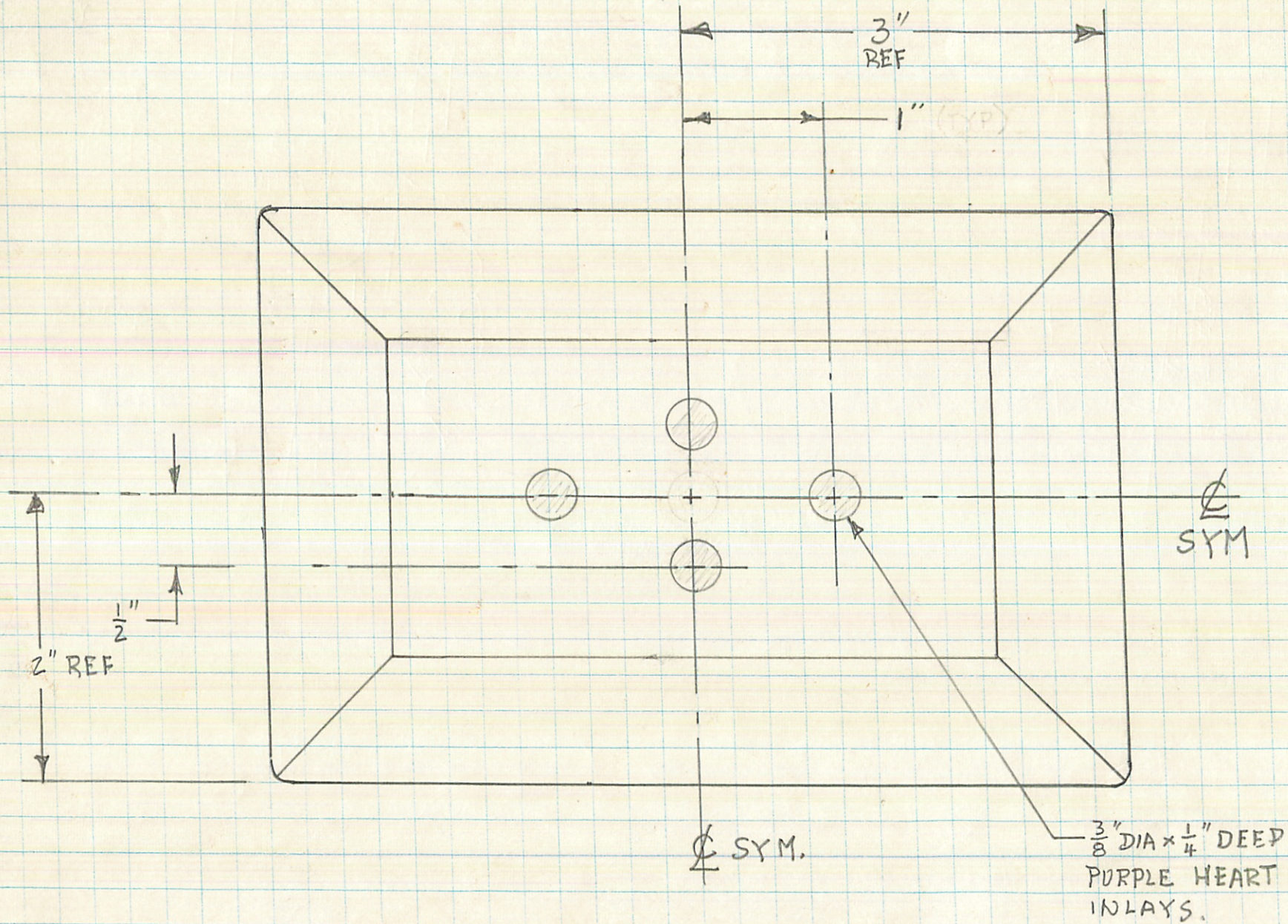


TOP VIEW OF SIDES

* SAND AFTER ASSEMBLING SIDES TO TOP AND FALSE BOTTOM.



SIDE VIEW



TOP INLAY

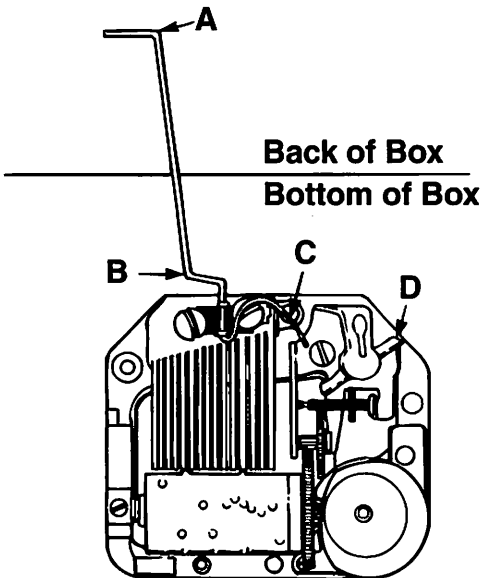
Musical Movement

The movement is attached to the base of your box with screws that are supplied. The movement comes equipped with a wire stopper installed.

Instructions

- 1.) While stopper is screwed to the mechanism, bend wire to shape of wire stopper in illustration. (If bending is difficult remove stopper so as not to damage movement.)
- 2.) The distance from A to B should be a little longer than the height of back of the box.
- 3.) Bend wire at A so that the wire will not scratch the box.
- 4.) Bend wire at C to turn on and off the flywheel D.

Note: If you do not want the musical movement to be on automatic, remove the stopper completely.



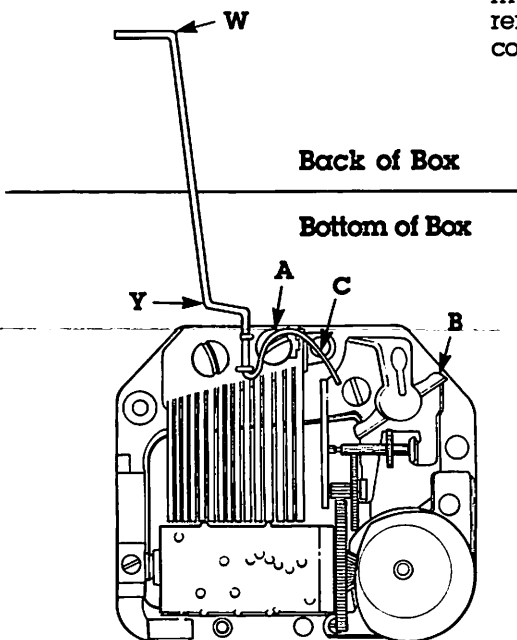
MOUNTING MUSICAL MOVEMENT

The movement is attached to the base of your box with the screws that are supplied. The movement comes equipped with a small wire stopper installed. If you are using the movement in a shallow box, follow the installation instruction starting with number 4. To use the movement in a deep box, it is necessary to install a special key and stopper #F1460.

Installation

1. Loosen screw **A**.
2. Remove the small wire stopper.
3. Install long stopper bracket under loosened screw **A**. (See illustration) Tighten the screw.
4. While stopper is screwed to the mechanism, bend wire to shape of wire stopper in illustration. (If bending is difficult remove stopper so as not to damage movement.)
5. The distance from **W** to **Y** will be a little longer than the height of the back of the box.
6. Bend wire at **W** so that the wire will not scratch the cover.
7. Bend the wire at **C** to turn on and off the flywheel **B**.

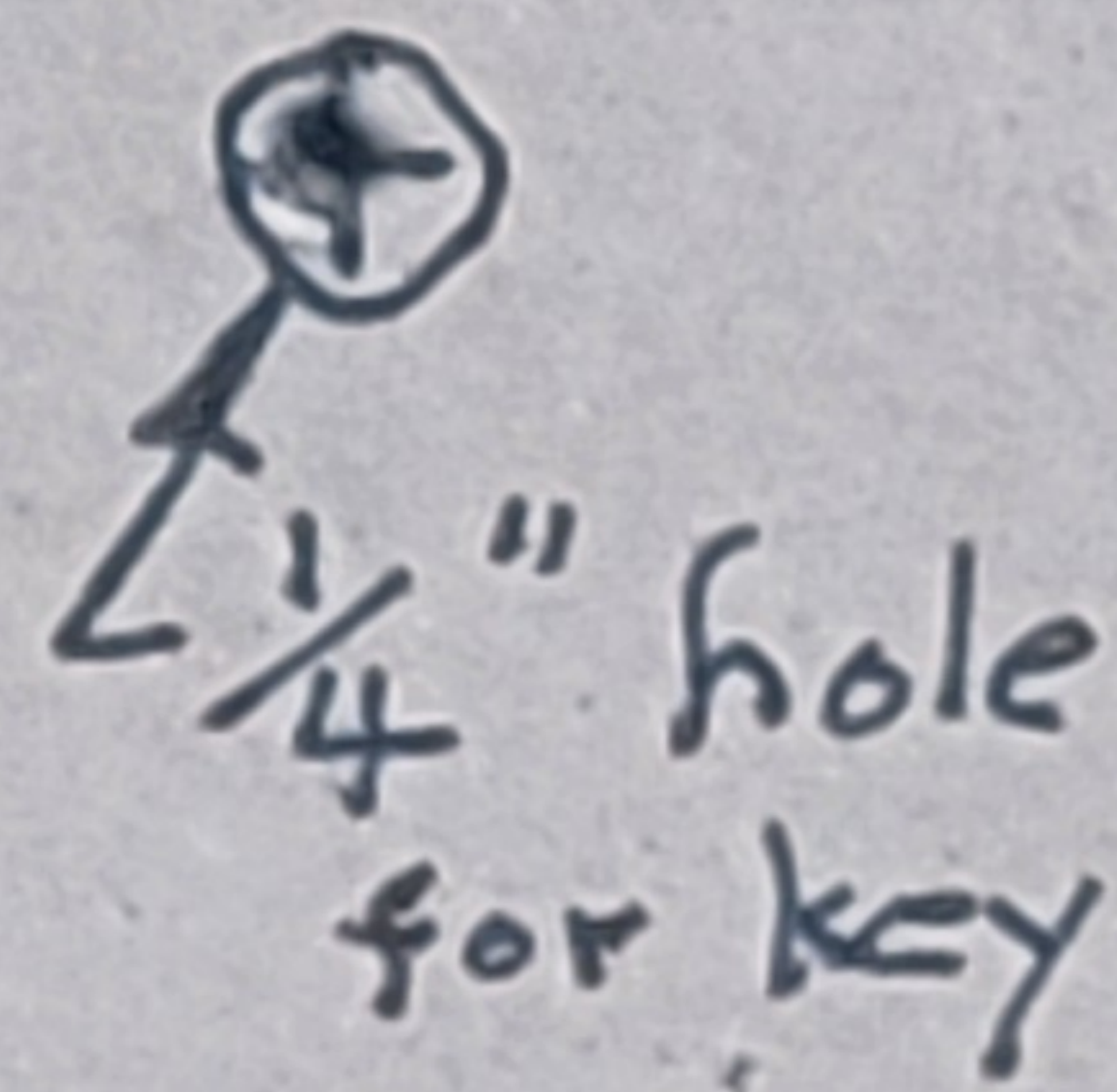
Note: If you do not want the musical movement to be on automatic, remove the short and long stopper completely.



36939
37150

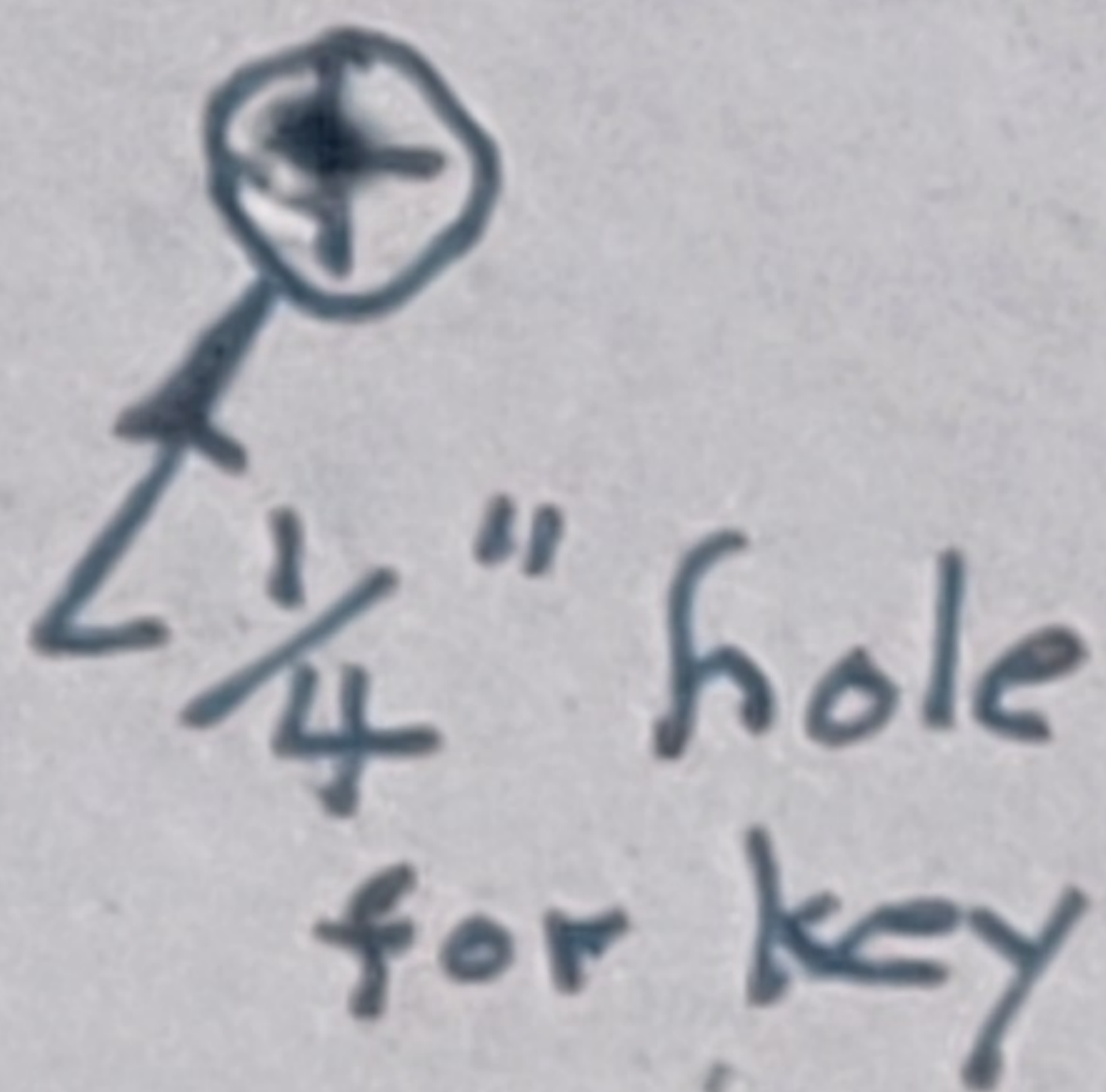
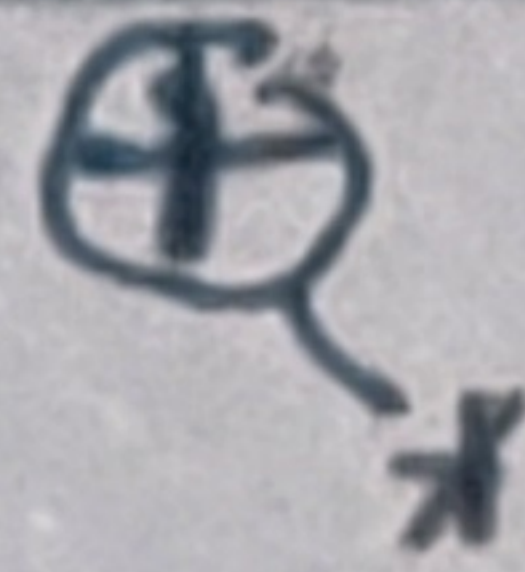

The Woodworkers' Store

© The Woodworkers' Store 1988



Line up three $\frac{5}{32}$ inch holes
from music box player.

* $\frac{1}{4}$ inch hole through false bottom.

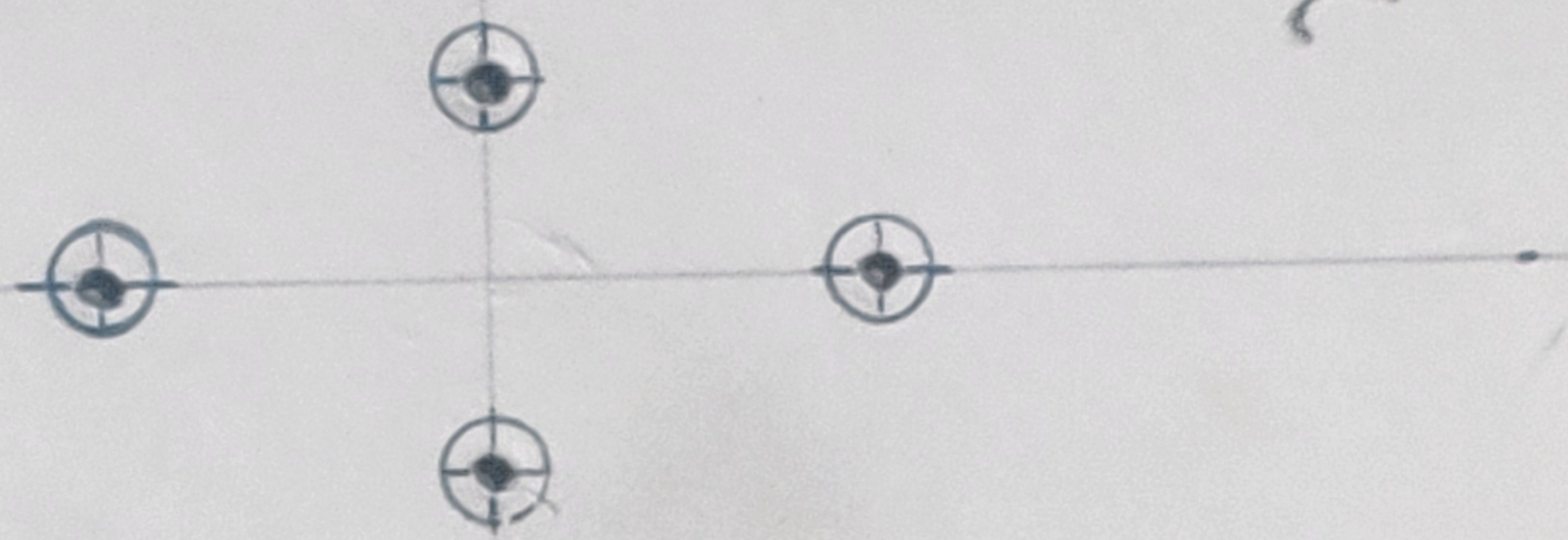


Line up three $\frac{5}{32}$ " holes
from music box player.

* $\frac{1}{4}$ " hole through false bottom.



Music Box
Top Inlay Pattern



Music Box
Top Inlay Pattern

Handwritten mark resembling a stylized 'N' or 'r'.

